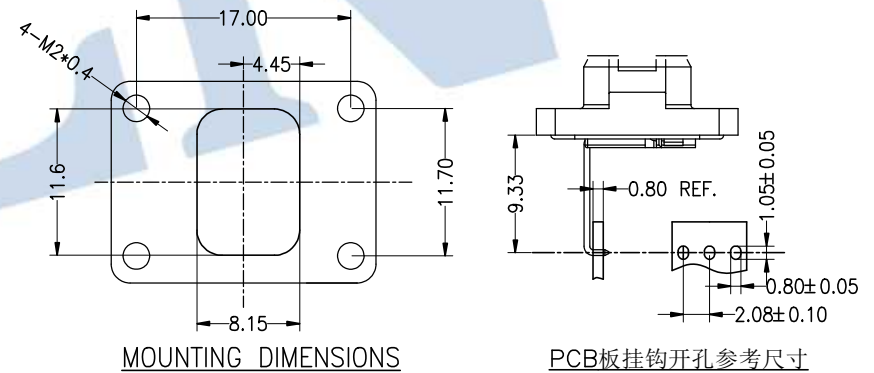
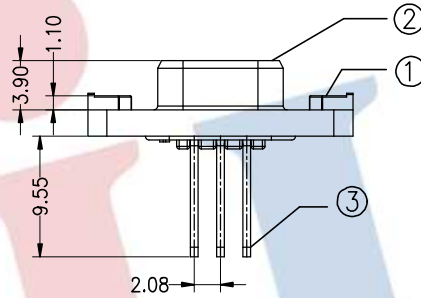
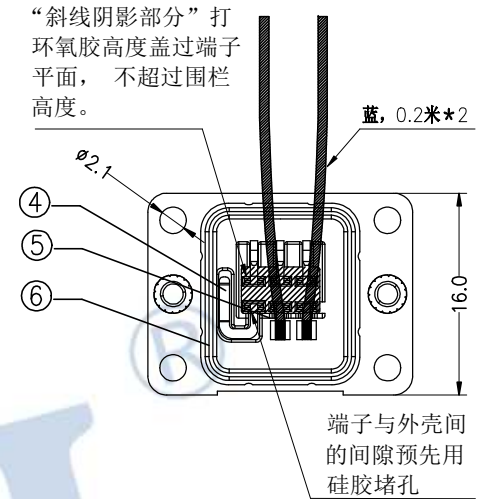
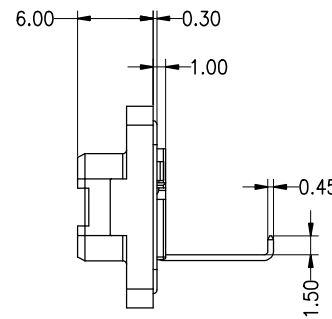
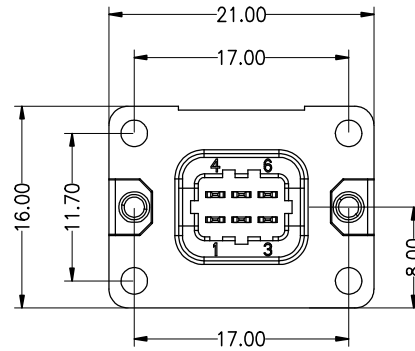


HSF RoHS

Note:
 Current Rating: 1A max.
 Voltage Rating: 100 VAC.
 Insulation Resistance: >1000 MΩ at @500VDC
 Withstand Voltage: 500VAC for 1 minute
 Contact Resistance: 10 mΩ MAX
 Operation Temperature: -40°C to +125°C

Contact Material: Copper Alloy
 Contact Plating: Au or Sn Over Ni
 Insulator Material: Synthetic Resin (UL94V-0) Black



NO	NAME	Q'TY	MATERIAL	DESCRIPTION	REMARKS
1	NUT	2	COPPER ALLOY	NATURAL COLOR	M2*0.4
2	HOUSING	1	PA46 UL94V-0	BLACK	
3	POWER CONTACT	3	COPPER ALLOY	PLATING GOLD	
4	GROUND CONTACT	1	COPPER ALLOY	PLATING GOLD	
5	BRAKE CONTACT	2	COPPER ALLOY	PLATING GOLD	
6	SOCKET SEALING	1	SYNTHETIC RUBBER	YELLOW	
7	BRAKE WIRE	2	FEP	BLUE,0.2M	
8	环氧树脂	/	环氧树脂	TRANSPARENT	
9	硅胶	/	硅胶	TRANSPARENT	

OPERATION		DRAW	Tim Chu	2022.07.18	SCALE	FIT	JILN® 深圳市锦凌电子有限公司	
X.X	±0.20						SHENZHEN JINLING ELECTRONIC CO.,LTD	Tel: 86-755-2997-5806/5802 Fax: 86-755-2997-5992
X.XX	±0.15	CHECK	Ou Yang Hui	2022.07.18	UNIT	mm	PART NO.	6353-06BS1AA01
X.XXX	±0.10				SIZE	A4		
Angle	±3°	APPROVE	Wang Wei	2022.07.18	SHEET	1/2	TITLE:	伺服电机动力勾板型底座小6Pin连接器/带线
DIM	TOL				PROJ.	◆		

REV	DATE	MODIFICATION DESCRIPTION	CHANGE
A0	2022.07.18	NEW DRAWING	