



SPECIFICATIONS

Rated Current:3.0AMP

Contact Resistance:30mΩ Max

Withstand Voltage:1000V AC/DC

Insulation Resistance:1000MΩ Min

Operation Temperature:-40°C to +105°C

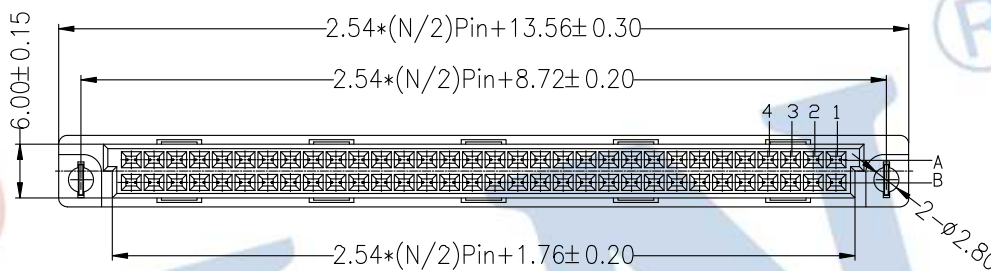
Contact Material:Brass

Contact Plating:Au or Sn Over Ni

Insulator Material:Polyester(UL94V-0)

Resistance To Soldering Heat:

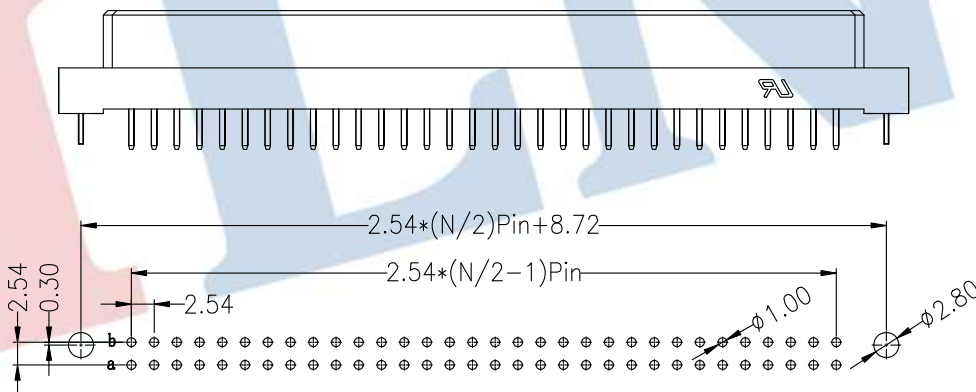
245°C±5°C, 10s(PBT insulator)



Ordering Information

35112 XX B F S XX BWAX

No. of Pins NPin N=10、16、20、 32、44、48、64	Contact Type F=Female	Contact Plating G0:Gold Flash S0:Gold Flash/Tin S1:3U" Gold/Tin S2:5U" Gold/Tin S3:10U" Gold/Tin S4:15U" Gold/Tin	Stream Code
---	--------------------------	---	-------------



Recommended P.C.B Layout(Top Side)
(PCB BOARD TOLERANCE±0.05)

Dimension antitheses list	
ITEM	A
Standard	4.00

REV	DATE	MODIFICATION DESCRIPTION	CHANGE	OPERATION		DRAW	YiYuSheng	14.09.16	SCALE	FIT
				DIM	TOL					
B	2014.09.16	增加UL标识		X.X	±0.30	CHECK			UNIT	mm
A0	2012.04.10	NEW DRAWING		X.XXX	±0.10					
				Angle	±3°					
						APPROVE			SHEET	1/1
									PROJ.	

JILN® 深圳市锦凌电子有限公司
SHENZHEN JINLING ELECTRONICS CO.,LTD
Tel: 86-755-27483253 Fax: 86-755-2997-5588

PART NO. 35112XXBFSXXBWAX
TITLE: 欧式插座 母座 180度 2xNPin 成品鱼叉系列图