

# HSF RoHS

## SPECIFICATIONS

Rated Current:6.0AMP

Contact Resistance:20mΩ Max

Withstand Voltage:1000V AC/DC

Insulation Resistance:1000MΩ Min

Operation Temperature:-55°C to +125°C

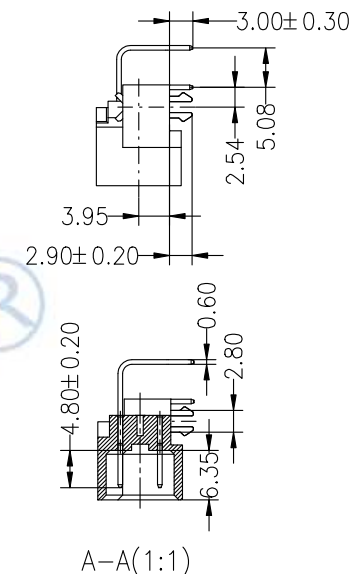
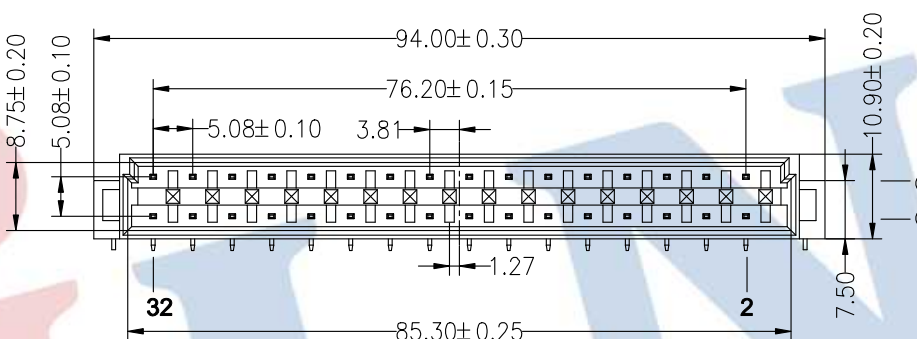
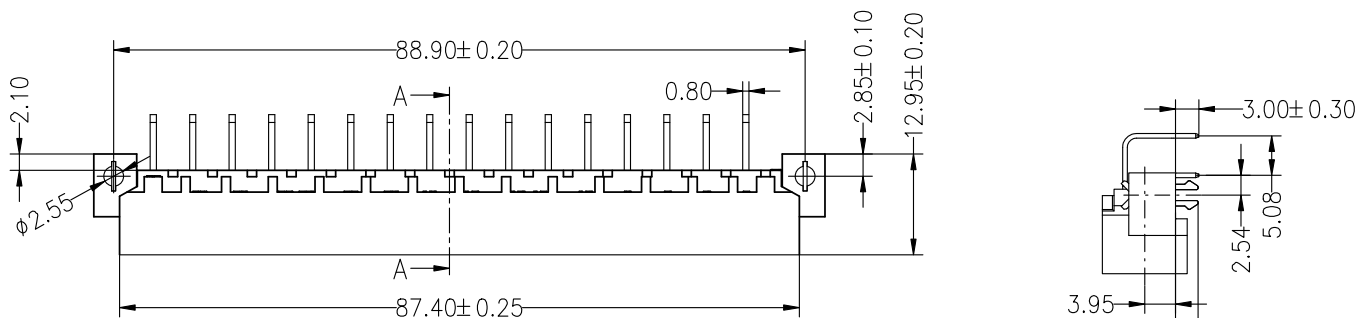
Contact Material:Phosphor Bronze

Contact Plating:Au Over Ni

Insulator Material:Polyester(UL94V-0)

Resistance To Soldering Heat:

245° C±5° C, 10s(PBT insulator)



## Ordering Information

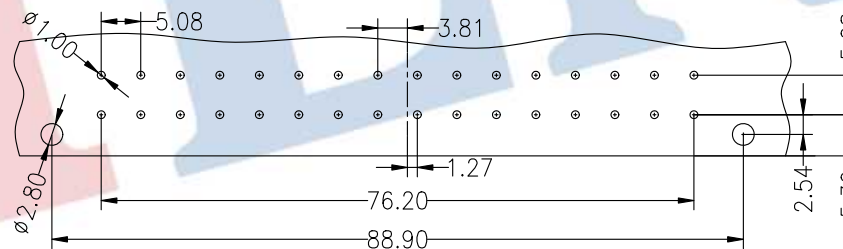
3513 2 32 A M R XX B W A X

No.of Pins  
32PIN

Contact Type  
M=Male

Contact Plating  
G0:Gold Flash  
S0:Gold Flash/Tin  
S1:3U" Gold/Tin  
S2:5U" Gold/Tin  
S3:10U" Gold/Tin  
S4:15U" Gold/Tin  
S5:30U" Gold/Tin  
SN:Tin

Stream Code



Recommended P.C.B Layout(Top Side)  
(PCB BOARD TOLERANCE±0.05)

				OPERATION		DRAW	YiYuSheng	17.05.15	SCALE	FIT	<b>JILN</b> ® 深圳市锦凌电子有限公司 SHENZHEN JINLING ELECTRONICS CO.,LTD Tel: 86-755-27483253 Fax: 86-755-2997-5588	
				X.X	±0.30				UNIT	mm		
				X.XX	±0.20				SIZE	A4		
				X.XXX	±0.10				SHEET	1/1		
A0	2017.05.15	NEW DRAWING		Angle	±3°	APPROVE		PROJ.		PART NO.	3513232AMRXXBWAX	
REV	DATE	MODIFICATION DESCRIPTION		DIM	TOL					TITLE:	DIN41612 5.08mm high current right angle male with harpoon	