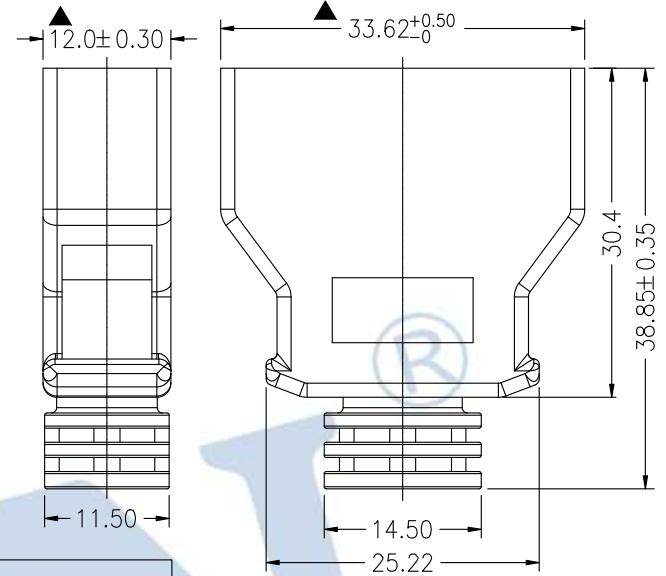
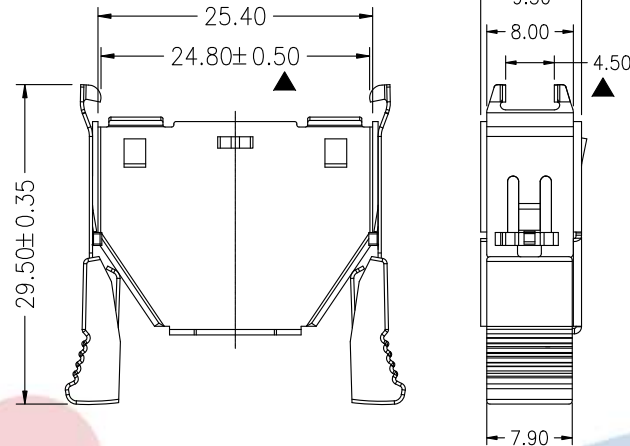
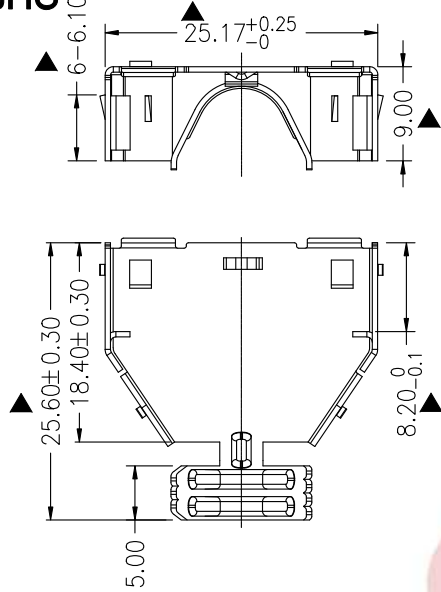


HSF RoHS

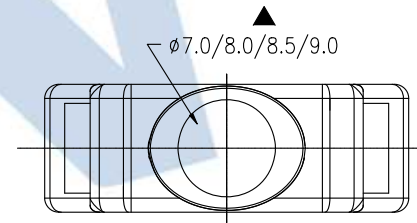
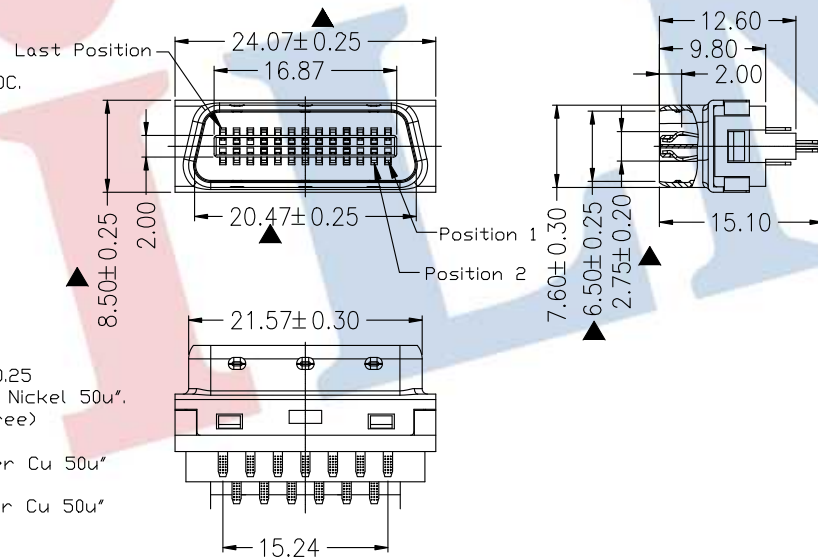


Specification:

- 1.Contact Resistance: 35 m Ohm Max.
- 2.Insulation Resistance: 200 M Ohm Min. At 500V DC.
- 3.Contact Current Rating: 1 Amp AC/DC
- 3.Voltage Rating: 40V AC.
- 4.Withstanding Voltage: 500V AC For 1 Minute.
- 5.Operating Temperature: -25°C to +85°C
- 6.Packing: Tray
- 7.Control Dimensions Indicated From"▲".

Material and Finish:

- 1.Insulator Material: PBTUL94-V0,Black
- 2.Cover Material: PBTUL94-V0,Black
- 3.Hood Plastic Material: ABS,Black
- 4.Bullon Plastic Material: ABS,Black
- 5.Contact Material: Phosphor Bronze(C5191-EH)T=0.25
- 6.Contact Area Plated: Gold 1~30u" Plated Over Nickel 50u"
- 7.Solder Area Plated: Tin Plated(80u" min Lead Free)
- 8.Up or Down Shell Material: SPCC T=0.50
- 9.Up or Down Shell Plated:Nickel 80u" Plated Over Cu 50u"
- 10.Connector Shell Material: SPCC T=0.50
- 11.Connector Shell Plated: Gold 1~3u" Plated Over Cu 50u"
- 12.Hook Spring Material: Stainless Steel T=0.30



Ordering Information

6320-M026 S D XX P N A 0 X

No.of Pins
14,20P,26P,36P
50P

Connector Type
S= Straight

Contact Plating
G1:1U" Gold
G4:3U" Gold
G5:5U" Gold
S1:1U" Gold /Tin
S2:3U" Gold /Tin
S3:5U" Gold /Tin

Stream Code

JILN 深圳市锦凌电子有限公司
SHENZHEN JINLING ELECTRONICS CO.,LTD

Tel: 86-755-27483253 Fax: 86-755-2997-5588

PART NO.

6320-M026SDXXPNAX

TITLE:

HPCN 26P SCSI Solder-type Male

OPERATION

X.X ±0.30

X.XX ±0.20

X.XXX ±0.10

Angle ±3°

DIM TOL

DRAW

CHECK

APPROVE

Jelly Feng

23.02.15

SCALE

FIT

UNIT

mm

SIZE

A4

SHEET

1/1

PROJ.

A0	2017.06.22	NEW DRAWING							
REV	DATE	MODIFICATION DESCRIPTION		CHANGE					