

HSF RoHS

SPECIFICATIONS
PERFORMANCE

Electical Rating: AC/DC 50V 0.5A

Insulation Resistance: 500MΩ

Withstang Volt: 200V AC/minute

Opratng Temperature: -40°C to +105°C

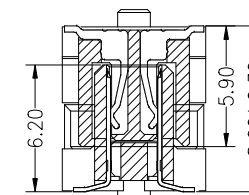
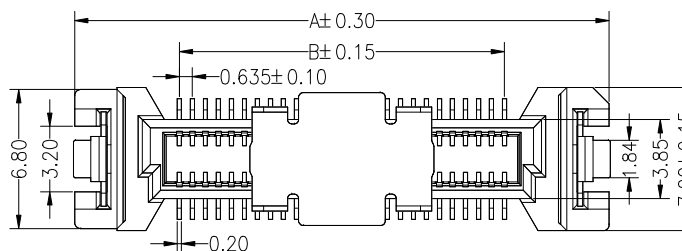
Material

Contact: Phosphor Bronze

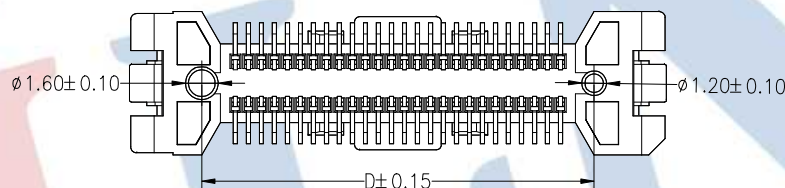
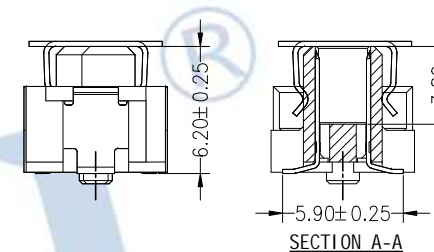
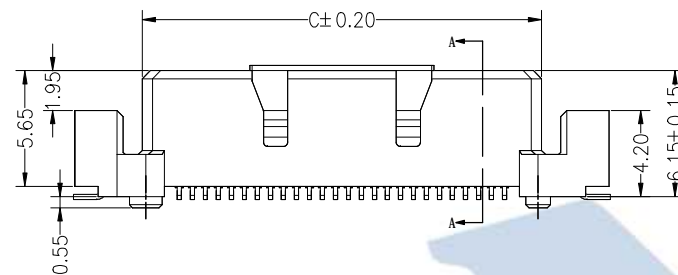
Plating: Au or Sn Over Ni

Housing: LCP

Max.Processing Temp: 260°C±5° 5S



MATING DRAWING(REF)



Ordering Information

3722 F XXX 062 XX X X 0X

F=Female
M=Male

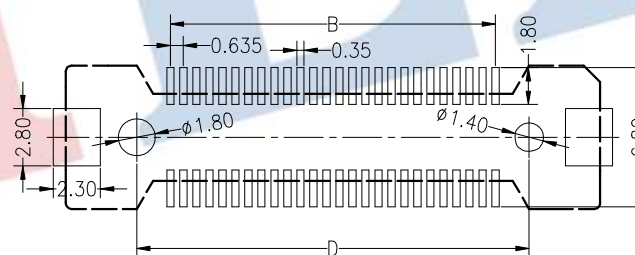
No.of pins
30,40,
50,52P

Plastic Hight
062=6.2mm

Contact Plating
G0:Gold Flash
G1:3U" Gold
G2:5U" Gold
G3:10U" Gold
G4:15U" Gold
S0:1.5U" Gold/Tin
S1:3U" Gold/Tin

Insulator
Material
Option
D=BK-PA46
E=BK-PA9T
F=BK-LCP

Packing
T:Tube
R:Reel



P.C.B Layout

No Of Pins	Dimensions (mm)			
	A	B	C	D
30	19.12	8.89	12.52	12.18
40	22.29	12.07	15.69	15.35
50	25.47	15.24	18.87	18.53
52	26.10	15.88	19.50	19.16

OPERATION		DRAW	Jelly Feng	2022.12.17	SCALE	FIT
X.X	±0.30	CHECK			UNIT	mm
X.XX	±0.20				SIZE	A4
X.XXX	±0.10				SHEET	1/1
Angle	±3°	APPROVE			PROJ.	
DIM	TOL				TITLE:	0.635mm BTB NPin H6.2 Female (PLC专用)

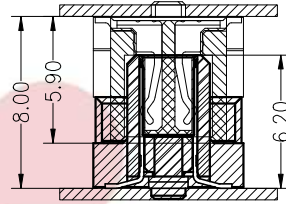
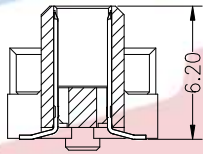
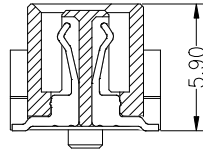
JILN 深圳市锦凌电子有限公司
SHENZHEN JINLING ELECTRONICS CO.,LTD
Tel: 86-755-27483253 Fax: 86-755-2997-5588

REV	DATE	MODIFICATION DESCRIPTION	CHANGE
A0	2022.12.17	NEW DRAWING	

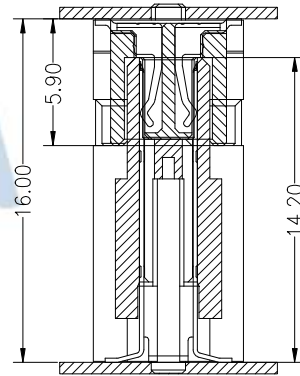
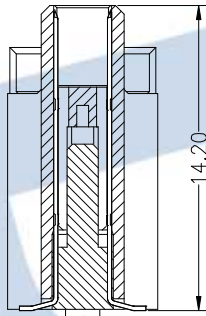
PART NO. 3722FXXX062XXXX0X
TITLE: 0.635mm BTB NPin H6.2 Female (PLC专用)

公座 (Male)

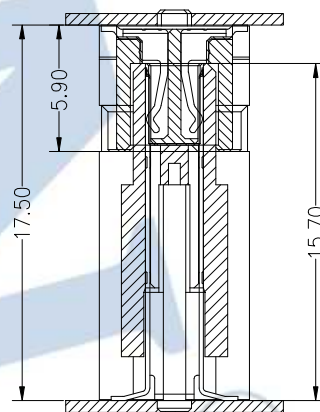
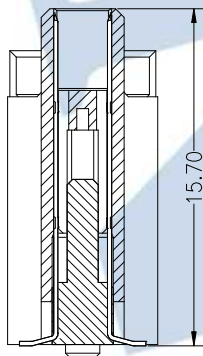
母座 (Female)



MATING DRAW REF



MATING DRAW REF



MATING DRAW REF

DRAW Jelly Feng 22.12.17

SCALE FIL

JILN 深圳市锦凌电子有限公司
SHENZHEN JINLING ELECTRONICS CO.,LTD
Tel: 86-755-27483253 Fax: 86-755-2997-5588

CHECK

UNIT mm

PART NO 3722XXXXXXXXXXXX

SIZE A4

SHEET 1/1

PROJ

TITLE 0.635mm BTB Mating Drawing (PLC专用)

REV	DATE	MODIFICATION DESCRIPTION	CHANGE
A	22.12.17	NEW DRAWING	