

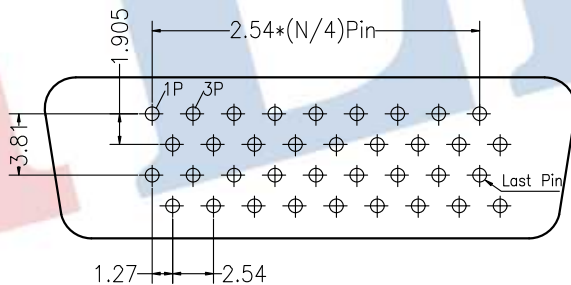
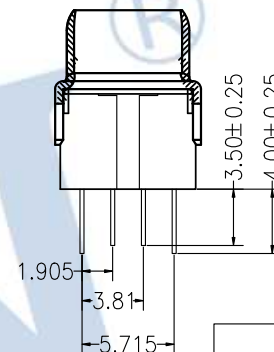
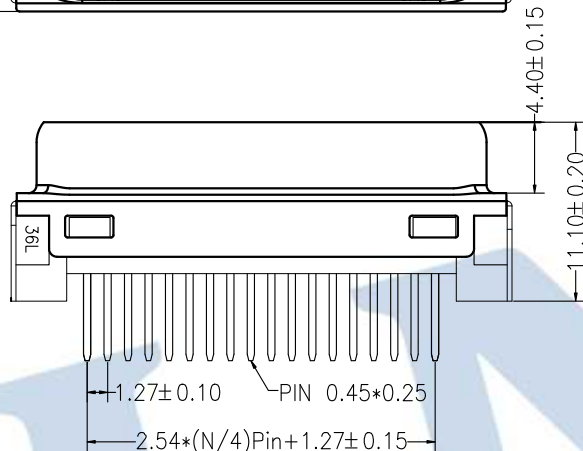
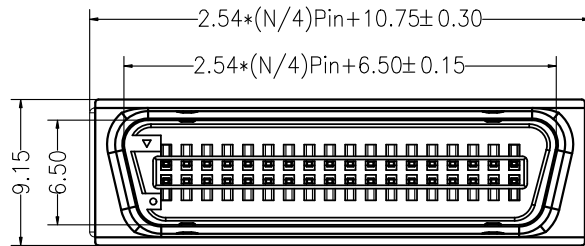
HSF RoHS

MATERIALS

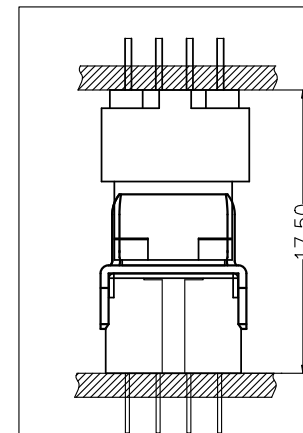
Housing: Plastic Thermoplastic, PA6T, UL94V-0, Black
 Contact Material: Copper Alloy Gold Selective Plated
 Front Shell: Steel, Nickel Plated Over Copper
 RoHS Compliant

ELECTRICAL CHARACTERISTICS

Rated Current: 1.0AMP
 Withstand Voltage: 500V AC/DC
 Insulation Resistance: 500MΩ Min
 Contact Resistance: 35mΩ Max
 Operation Temperature: -55°C to +105°C



Recommended P.C.B Layout (Top Side)
 (PCB BOARD TOLERANCE ± 0.05)



公母配套图

Ordering Information

6300M XXX S D XX M N A 0 X

No. of Pins
26, 36, 50P

Connector Type
S=180°

Contact Plating
 S0: Gold Flash/Tin
 S1: 3U" Gold /Tin
 S2: 5U" Gold /Tin
 S3: 10U" Gold /Tin
 S4: 15U" Gold /Tin
 S5: 30U" Gold /Tin

| REV | DATE | MODIFICATION DESCRIPTION | CHANGE | OPERATION | | DRAW | RICH LIN | 2023.03.28 | SCALE | FIT |
|-----|------------|--------------------------|--------|-----------|-------|---------|----------|------------|-------|-----|
| | | | | DIM | TOL | | | | | |
| A0 | 2023.03.28 | NEW DRAWING | | X.X | ±0.30 | CHECK | | | UNIT | mm |
| | | | | X.XX | ±0.15 | | | | SIZE | A4 |
| | | | | X.XXX | ±0.10 | | | | SHEET | 1/1 |
| | | | | Angle | ±3° | APPROVE | | | PROJ. | ◆ |

JILN 深圳市锦凌电子有限公司
 SHENZHEN JINLING ELECTRONICS CO., LTD

Tel: 86-755-27483253 Fax: 86-755-2997-5588

PART NO. 6300MXXXSDXXMNAOX

TITLE: SCSI-NPIN 公头 插板式