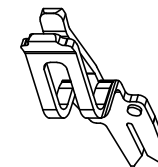
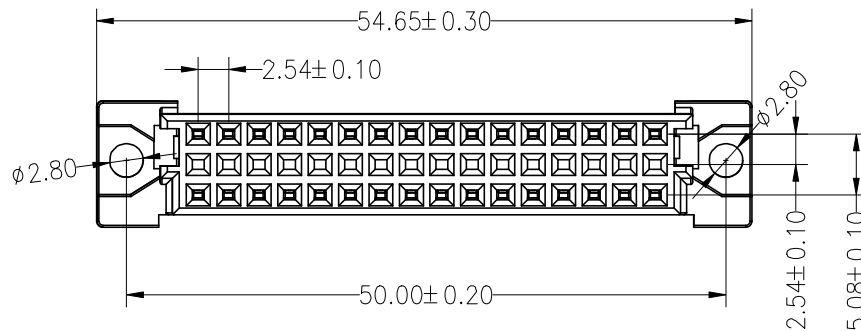


HSF RoHS

SPECIFICATIONS

Rated Current:3.0AMP
 Contact Resistance:30mΩ Max
 Withstand Voltage:1000V AC/DC
 Insulation Resistance:1000MΩ Min
 Operation Temperature:-40°c to +105°c

Contact Material:Phosphor Bronze
 Contact Plating:Au or Sn Over Ni
 Insulator Material:Polyester(UL94V-0)
 Resistance To Soldering Heat:
 245° C±5° C, 10s(PBT insulator)



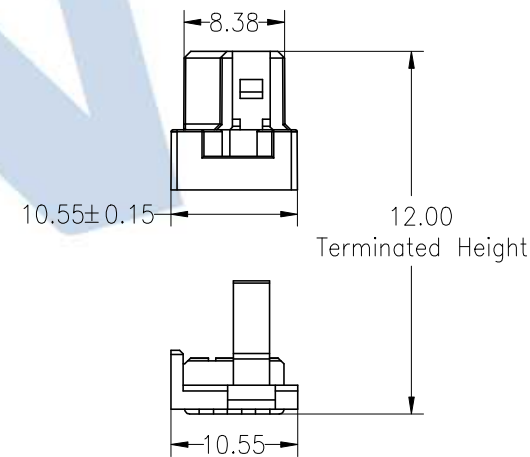
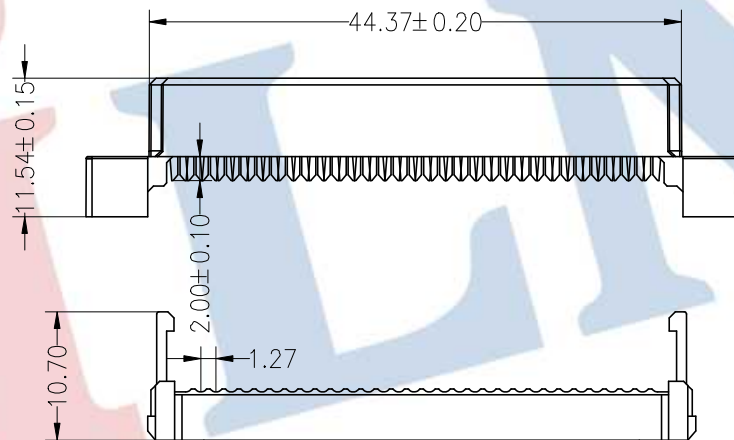
Ordering Information

3512 3 32 A F I XX P W A X

No. of Pins
32=32Pin

Contact Plating
NI:NI
SO:Gold Flash/Ni

Stream Code



OPERATION		DRAW	YiYuSheng	12.04.10	SCALE	FIT
X.X	±0.30					
X.XX	±0.20	CHECK			UNIT	mm
X.XXX	±0.10					
Angle	±3°	APPROVE			SHEET	1/1
DIM	TOL					

JILN 深圳市锦凌电子有限公司
 SHENZHEN JINLING ELECTRONICS CO.,LTD
 Tel : 86-755-27483253 Fax: 86-755-2997-5588

REV	DATE	MODIFICATION DESCRIPTION	CHANGE
A0	2012.04.10	NEW DRAWING	

PART NO.	3512332AFIXXPWAX
TITLE:	Din41612 332 Female IDC-Type