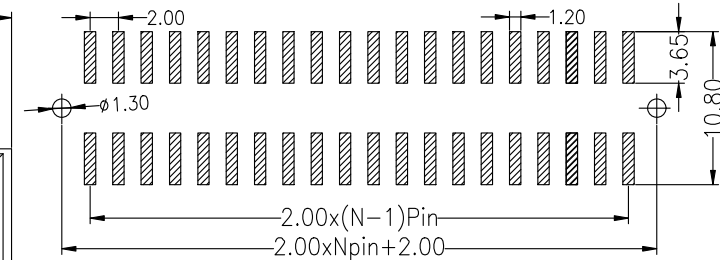
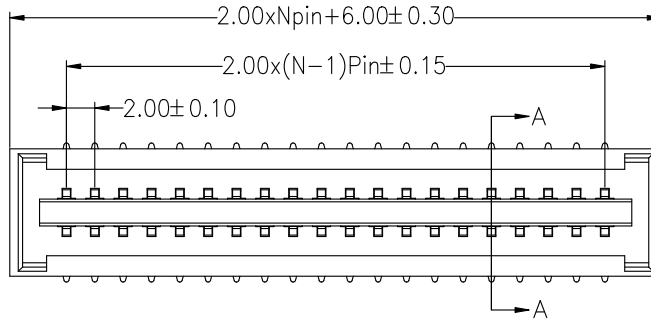


**HSF RoHS**

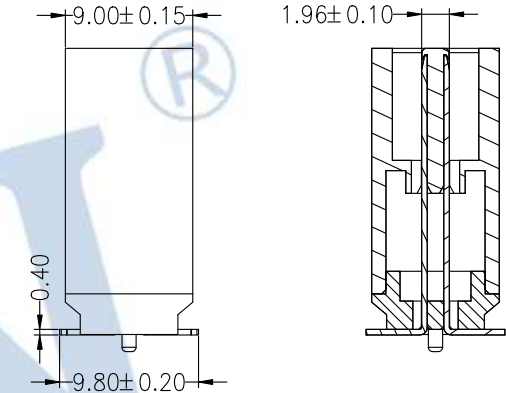
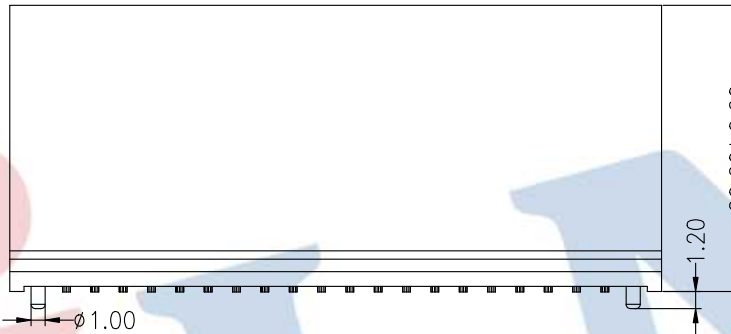
**SPECIFICATIONS**

Rated Current:3.0AMP  
 Contact Resistance:20mΩ Max  
 Withstand Voltage:1000V AC/DC  
 Insulation Resistance:1000MΩ Min  
 Operation Temperature:-40°C to +105°C

Contact Material:Phosphor bronze  
 Contact Plating:Au or Sn Over Ni  
 Insulator Material:Polyester(UL94V-0)  
 Resistance To Soldering Heat:  
 260° C±5° C, 10s(PA9T insulator)

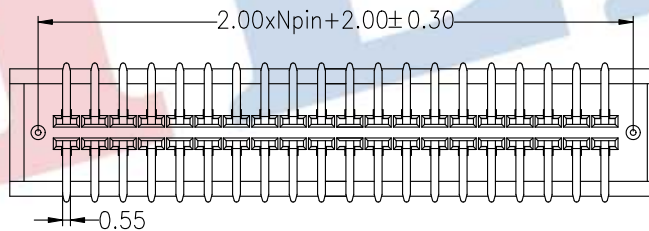


Recommended P.C.B Layout



A-A SECTION

Mating Draw (Ref)



**Ordering Information**

**4410- 2 XX M XX M E B W 0 X**

- |            |                 |
|------------|-----------------|
| No.of Pins | Contact Plating |
| 2x20P      | G0:Gold Flash   |
| 2x27P      | G1:1U" Gold     |
| 2x32P      | G2:2U" Gold     |
|            | G3:3U" Gold     |
|            | G4:5U" Gold     |
|            | G5:10U" Gold    |

				OPERATION		DRAW	yiyusheng	19.07.09	SCALE	FIT	<b>JILN® 深圳市锦凌电子有限公司</b> <b>SHENZHEN JINLING ELECTRONICS CO.,LTD</b> Tel: 86-755-27483253 Fax: 86-755-2997-5588	
				X.X	±0.30				UNIT	mm		
				X.XX	±0.20				SIZE	A4		
				X.XXX	±0.10				SHEET	1/1		
A	2019.07.09	NEW DRAWING		Angle	±3°	APPROVE		PART NO.	4410-2XXMXXMEBWOX			
REV	DATE	MODIFICATION DESCRIPTION		DIM	TOL			TITLE:	2.0加强型金手指连接器 公座 2xNpin H20.2 SMT 带柱			