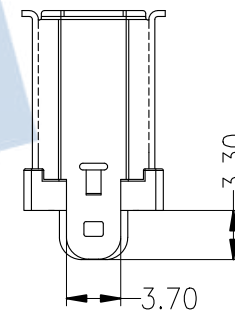
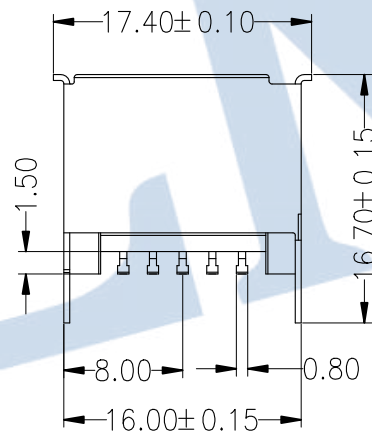
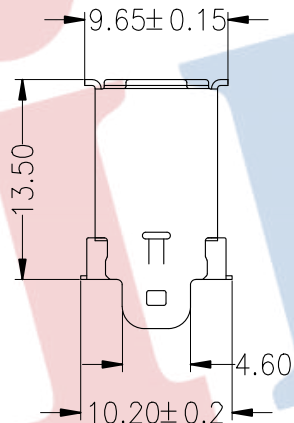
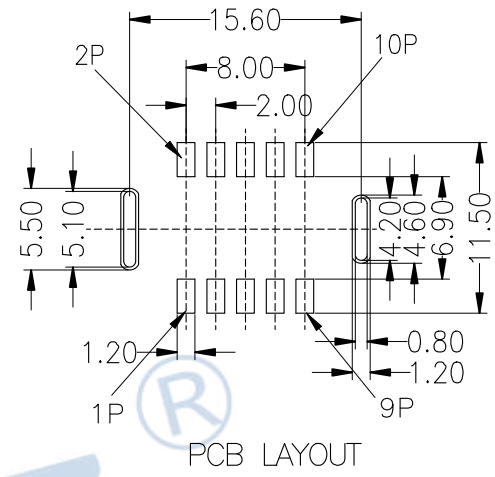
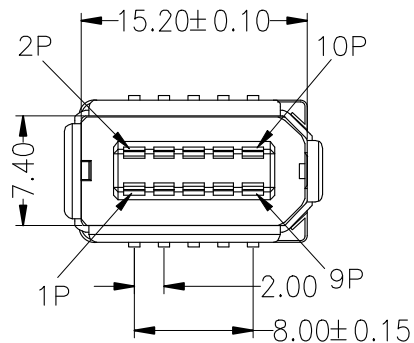


HSF RoHS

SPECIFICATIONS

Rated Current:2.0AMP
 Contact Resistance:20mΩ Max
 Withstand Voltage:500V AC/DC
 Insulation Resistance:1000MΩ Min
 Operation Temperature:-55°C to +105°C
 Contact Material:Phosphor Bronze
 Contact Plating:Au Over Ni
 Shroud Material:Phosphor Bronze/Iron
 Shroud Plating:Tin Over Ni
 Insulator Material:Polyester(UL94V-0)
 Standard: LCP
 Soldering temperature:260°C±5° 5S



Ordering Information

6312M - 10 M XX M X 0 X

No.of Pins
10P

Contact Plating
 G0:Gold Flash
 G4:3U" Gold
 G5:5U" Gold
 G6:10U" Gold
 G7:20U" Gold
 S2:3U" Gold /Tin
 S3:5U" Gold /Tin
 S4:10U" Gold /Tin
 S5:15U" Gold /Tin

Packing
 A:Tray
 T:Tube

				OPERATION		DRAW	YiYuSheng	18.05.23	SCALE	FIT	JILN® 深圳市锦凌电子有限公司 SHENZHEN JINLING ELECTRONICS CO.,LTD Tel: 86-755-27483253 Fax: 86-755-2997-5588	
				X.X	±0.30				UNIT	mm		
				X.XX	±0.20				SIZE	A4		
				X.XXX	±0.10				SHEET	1/1		
A0	2018.05.23	NEW DRAWING		Angle	±3°	APPROVE				PART NO.	6312M-10MXXMX0X	
REV	DATE	MODIFICATION DESCRIPTION		DIM	TOL					TITLE:	1394 SM Male 10P SMT(Metal Shell)	