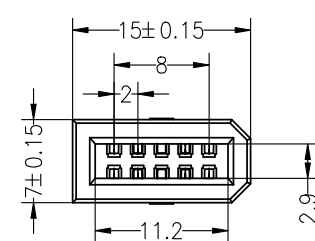
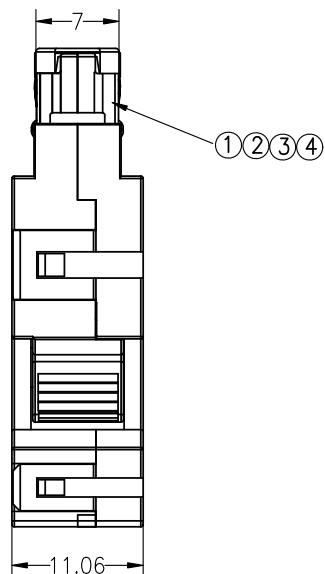
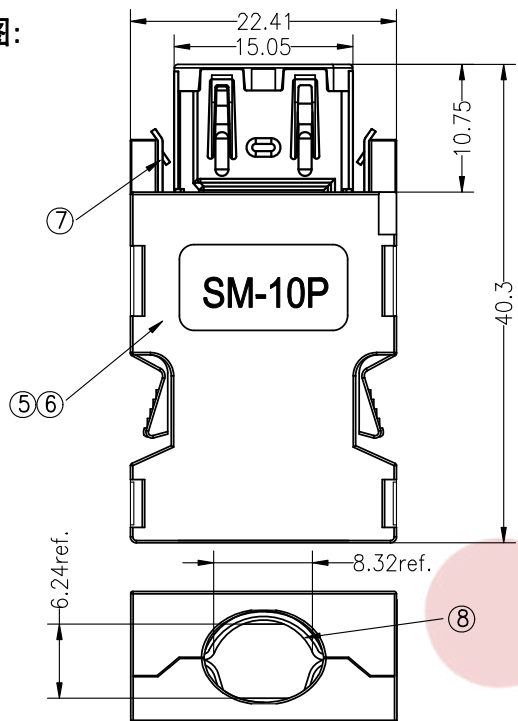
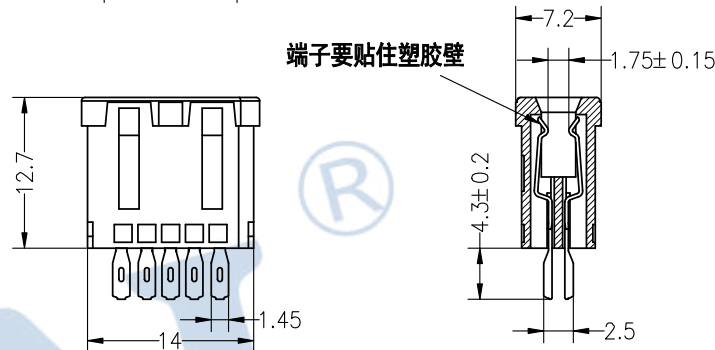


成品组装图:
(Assemble)



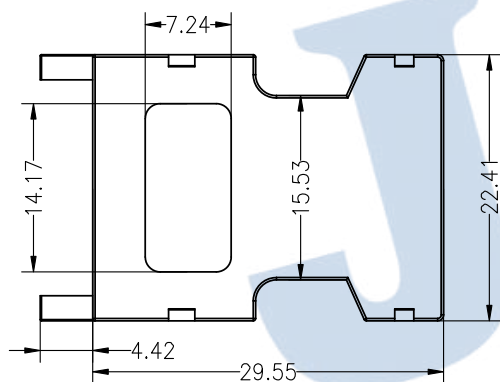
HSF RoHS

端子要贴住塑胶壁

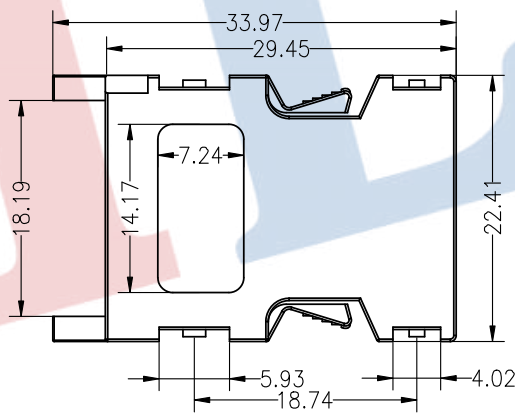


SPECIFICATIONS
 Rated Current:1.0AMP
 Contact Resistance:20mΩ Max
 Withstand Voltage:500V AC/DC
 Insulation Resistance:1000MΩ Min
 Operation Temperature:-40°C to +105°C
 Contact Material:Phosphor Bronze
 Contact Plating:Au Over Ni
 Insulator Material:Polyester(UL94V-0)
 Standard: PA46

Pin No.	Specification	Material	Q'TY	UNIT
①	塑胶主本 (plastic body)	PA46	PCS	1
②	端子 (terminal)	C5191-EH	PCS	10
③	上铁壳 (up iron shell)	C2680-H	PCS	1
④	下铁壳 (bottom iron shell)	C2680-H	PCS	1
⑤	上盖 (up outside shell)	PC	PCS	1
⑥	下盖 (bottom outside shell)	PC	PCS	1
⑦	弹片 (clips)	SPCC	PCS	2
⑧	下线夹 (Lock)	S301	PCS	1



塑胶下盖 (bottom shell plastic)



塑胶上盖 (up shell plastic)

A	REV	DATE	MODIFICATION DESCRIPTION	CHANGE	OPERATION		DRAW	YiYuSheng	20.04.21	SCALE	FIT	JILN® 深圳市锦凌电子有限公司		
					DIM	TOL						PART NO.	TITLE:	
					X.X	±0.30						UNIT	mm	6312F-10SG0PAOX
	A1	2020.04.21	变更上下盖材料ABS+PC, 改后PC		X.XX	±0.20	CHECK					SIZE	A4	
	A0	2013.03.18	NEW DRAWING		X.XXX	±0.10						SHEET	1/1	
					Angle	±3°	APPROVE					PROJ.	◆	

JILN® 深圳市锦凌电子有限公司
 SHENZHEN JINLING ELECTRONICS CO.,LTD
 Tel: 86-755-27483253 Fax: 86-755-2997-5588

PART NO. 6312F-10SG0PAOX
 TITLE: 1394 SM Female 10P solderingassemble(plastic shell)