

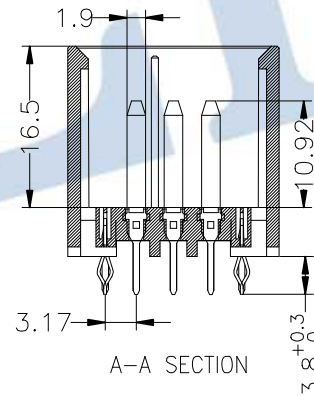
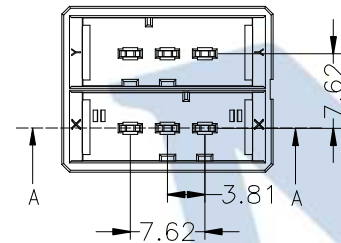
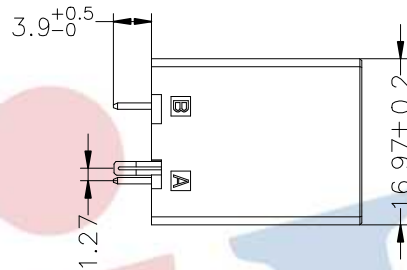
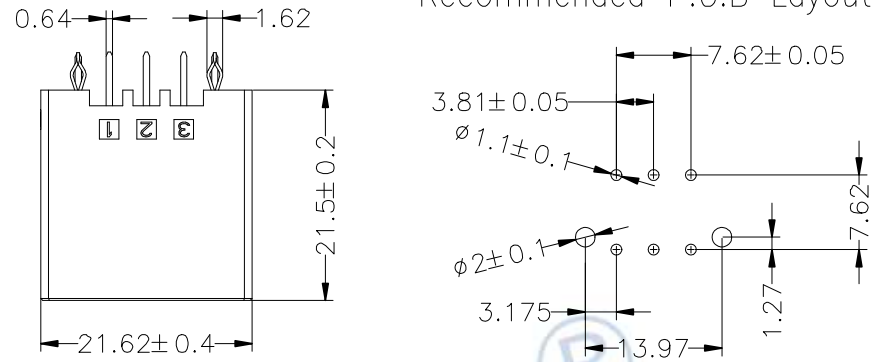
HSF RoHS

SPECIFICATIONS

Rated Current:5.0AMP
 Contact Resistance:20mΩ Max
 Withstand Voltage:1000V AC/DC
 Insulation Resistance:1000MΩ Min
 Operation Temperature:-40°C to +105°C

Contact Material:Phosphor Bronze
 Contact Plating:Au or Sn Over Ni
 Retention LEG:Copper Alloy
 Retention LEG Plating:Tin Over Ni
 Insulator Material:Polyester(UL94V-0)
 Standard: PBT
 Max.Processing Temp: 230°C±5°C 5S

Recommended P.C.B Layout



Ordering Information

8600-2 03 XX A B 0X

No. of Pins Per Row
 NPin
 N=03

Contact Plating
 G0:Gold Flash
 G1:3U" Gold
 G2:5U" Gold
 G3:10U" Gold
 G4:15U" Gold
 G5:30U" Gold
 S0:Gold Flash/Tin
 SN:Tin
 SM:Matte-Tin

Insulator Material Option
 A=BK-PBT
 B=BK-PA66
 C=BK-PA6T
 D=BK-PA46
 E=BK-PA9T
 F=BK-LCP

KEYING LOCATION	KEYING(A)	KEYING(B)	JINLN P/N	
A B	X	Y	8600-203XXAB08	3-178141-5
A B	Y	Y	8600-203XXAB07	2-178141-5
A B	X	X	8600-203XXAB06	1-178141-5

OPERATION		DRAW	Jelly Feng	2023.03.13	SCALE	FIT	
X.X	±0.30				UNIT	mm	
X.XX	±0.20	CHECK			SIZE	A4	
X.XXX	±0.10				SHEET	1/1	
Angle	±3°	APPROVE				PROJ.	
DIM	TOL						

JILN® 深圳市锦凌电子有限公司
 SHENZHEN JINLING ELECTRONICS CO.,LTD
 Tel: 86-755-27483253 Fax: 86-755-2997-5588

REV	DATE	MODIFICATION DESCRIPTION	CHANGE
A0	2023.03.13	NEW DRAWING	

PART NO.	8600-203XXAB0X
TITLE:	3.81mm A型接插件针座(178141)