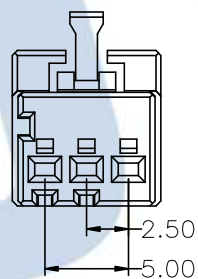
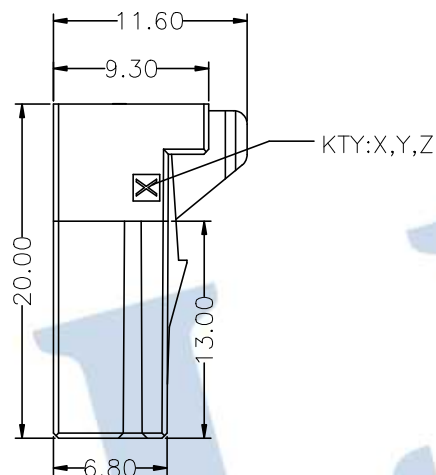
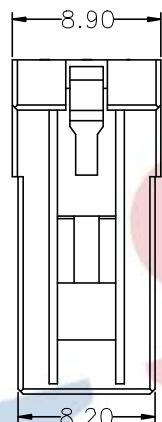
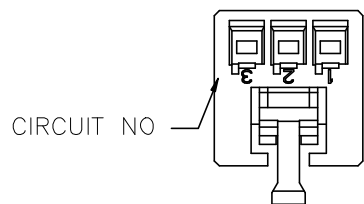


**HSF** RoHS

- 1 MATERIAL:PBT BLACK UL94V-0.
- 2 WORKING TEMPERATURE:-55°C~+105°C
- 3 THE SHAPE,SIZE AND POSITION OF THE CHARACTER SHOW THE OUTLIE THEY DON'T SHOW DETAILS



KEYING LOCATION	KEYING	JILN P/N	TE P/N
	X	A5083-03B08	1-1318120-3
	Y	A5083-03B07	2-1318120-3
	Z	A5083-03B06	3-1318120-3

OPERATION	DRAW	YangHuiOu	2019.06.20
X.X ±0.30	CHECK		
X.XX ±0.20			
X.XXX ±0.10			
Angle ±3°	APPROVE		
DIM TOL			

SCALE	FIT
UNIT	mm
SIZE	A4
SHEET	1/1
PROJ.	

**JILN**® 深圳市锦凌电子有限公司  
**SHENZHEN JINLING ELECTRONICS CO.,LTD**  
 Tel: 86-755-27483253 Fax: 86-755-2997-5588

REV	DATE	MODIFICATION DESCRIPTION	CHANGE
A0	2019.06.20	NEW DRAWING	

PART NO.	A5083-03B0X
TITLE:	2.50 PITCH RECEPTACLE HOUSING(KEY:X,Y,Z) 1318120