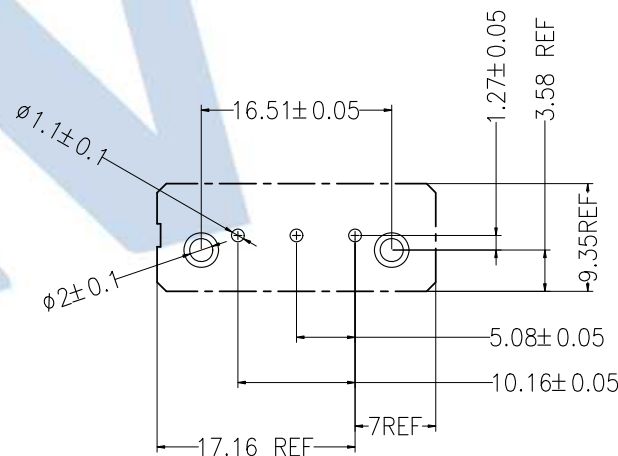
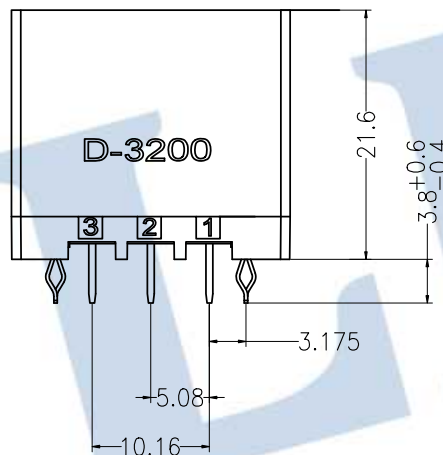
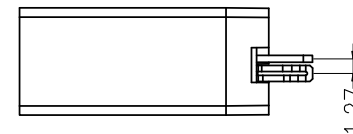
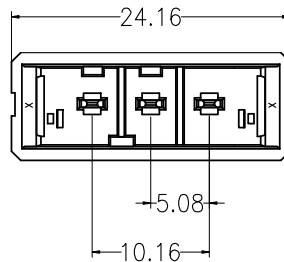


HSF RoHS

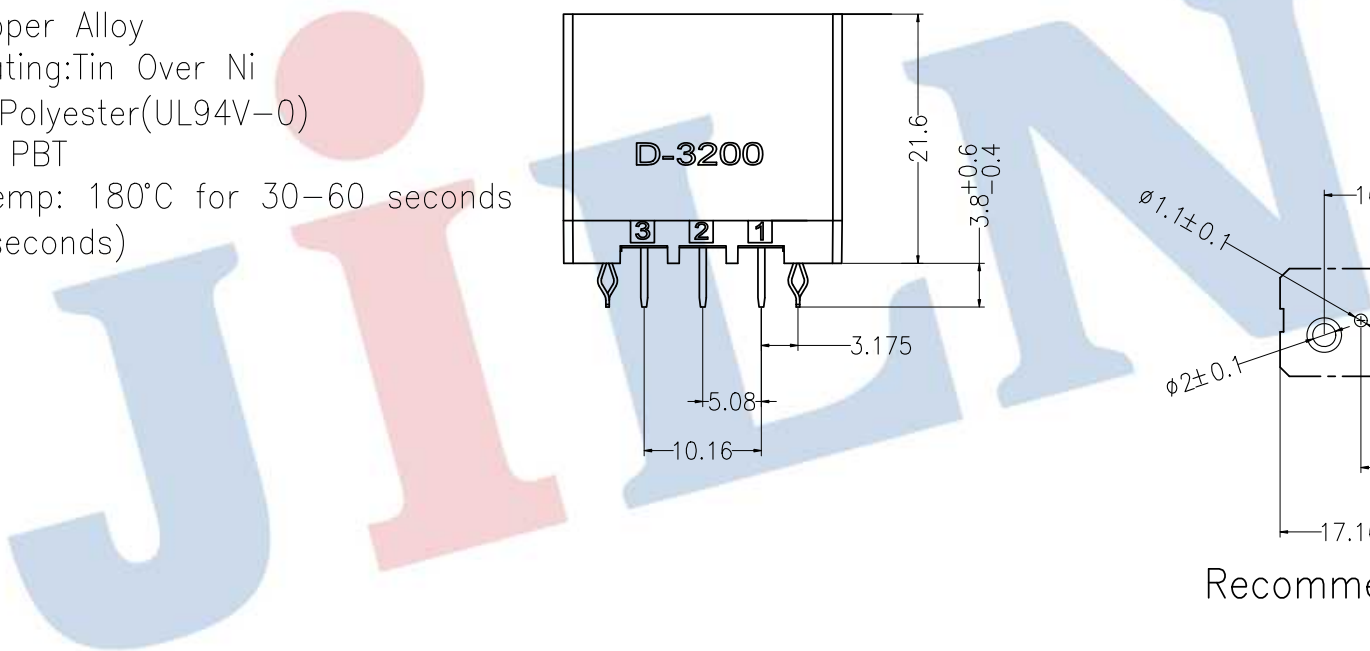
SPECIFICATIONS

Rated Current:5.0AMP
 Contact Resistance:20mΩ Max
 Withstand Voltage:1000V AC/DC
 Insulation Resistance:1000MΩ Min
 Operation Temperature:-40°C to +105°C

Contact Material:Phosphor Bronze
 Contact Plating:Au or Sn Over Ni
 Retention LEG:Copper Alloy
 Retention LEG Plating:Tin Over Ni
 Insulator Material:Polyester(UL94V-0)
 Standard: PBT
 Max.Processing Temp: 180°C for 30-60 seconds
 (200°C for 10 seconds)



Recommended P.C.B Layout



				OPERATION		DRAW	Jelly Feng	22.04.20	SCALE	FIT	JILN ® 深圳市锦凌电子有限公司 SHENZHEN JINLING ELECTRONICS CO.,LTD Tel: 86-755-27483253 Fax: 86-755-2997-5588		
				X.X	±0.30				UNIT	mm			
				X.XX	±0.20	CHECK		SIZE	A4	PART NO.			8600-103SMAX01
				X.XXX	±0.10	APPROVE		SHEET	1/1	TITLE:			5.08mm A型单排3芯公针(1-178136-5)
REV	DATE	MODIFICATION DESCRIPTION	CHANGE	DIM	TOL			PROJ.					