

HSF RoHS

SPECIFICATIONS

Rated Current:5.0AMP
 Contact Resistance:20mΩ Max
 Withstand Voltage:1000V AC/DC
 Insulation Resistance:1000MΩ Min
 Operation Temperature:-40°C to +105°C

Contact Material:Phosphor Bronze
 Contact Plating:Au or Sn Over Ni
 Retention LEG:Copper Alloy
 Retention LEG Plating:Tin Over Ni
 Insulator Material:Polyester(UL94V-0)
 Resistance To Soldering Heat:
 245° C±5° C, 10s(PBT insulator)
 260° C±5° C, 10s(PA6T&PA9T&LCP insulator)

Ordering Information

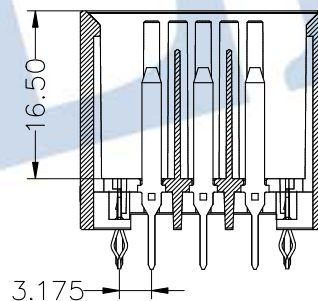
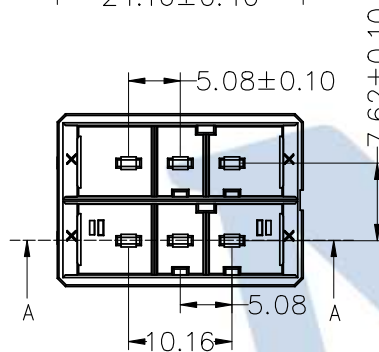
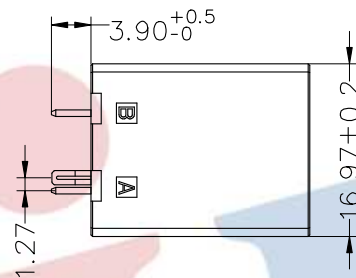
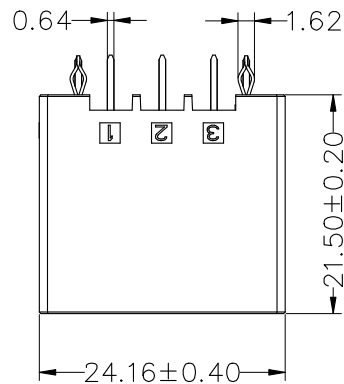
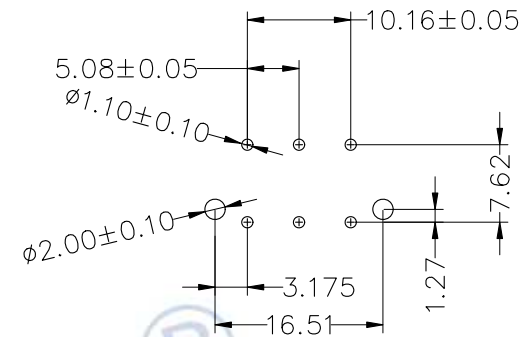
8600-2 03 XX A B 0 X

No.of Pins
2x3P

Contact Plating
 G0:Gold Flash
 G1:3U" Gold
 G2:5U" Gold
 G3:10U" Gold
 G4:15U" Gold
 G5:30U" Gold
 S0:Gold Flash/Tin
 SN:Tin
 SM:Matte-Tin

Insulator Material
 Option
 A=BK-PBT
 B=BK-PA66
 C=BK-PA6T
 D=BK-PA46
 E=BK-PA9T
 F=BK-LCP

Recommended P.C.B Layout



A-A SECTION

				OPERATION		DRAW	YiYuSheng	18.12.27	SCALE	FIT	JILN ® 深圳市锦凌电子有限公司 SHENZHEN JINLING ELECTRONICS CO.,LTD Tel: 86-755-27483253 Fax: 86-755-2997-5588		
				X.X	±0.30				UNIT	mm			
				X.XX	±0.20	CHECK	SIZE	A4	PART NO.	8600-203XXABOX			
A0	2018.12.27	NEW DRAWING		X.XXX	±0.10	APPROVE	SHEET	1/1	TITLE:	5.08mm带围墙双排6Pin针座			
REV	DATE	MODIFICATION DESCRIPTION		CHANGE	DIM	TOL	PROJ.	客户规格:		A型双排6芯公针(1-178140-5)			