

HSF RoHS

Note:

Physical

1.Insulation Material:

Synthetic ResinUL94V-0

Color:Black

2.Contact Material:Copper Alloy

Plating :Nickel Fou all

Contact Area :Gold

Termination Area:Glod Flash

Electrical

1.Current Rating: 1A max.

2.Voltage Rating: 100 VAC.

3.Insulation Resistance:>1000 MΩ at @500VDC

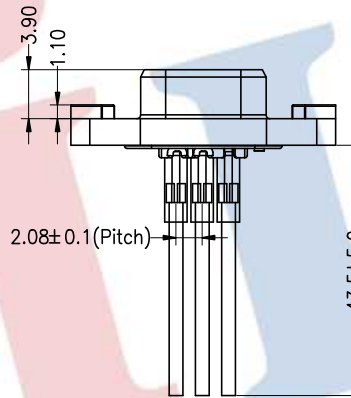
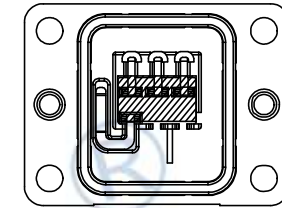
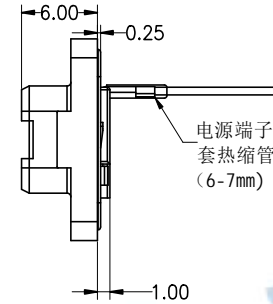
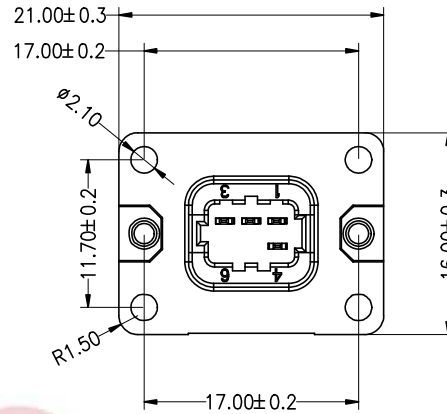
4.Withstand Voltage:500VAC for 1 minute

5.Contact Resistance: 10 MΩ MAX

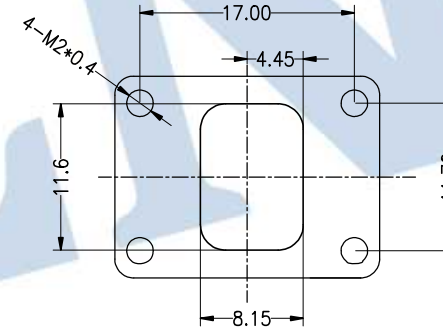
Environmental

1.Operation Temperature:-40°C to +125°C

2.Solder Temperature:
255~265°c For 2-3sec



黑白红



MOUNTING DIMENSIONS

				OPERATION		DRAW	2023.02.09	Jelly Feng	SCALE	FIT	JILN ® 深圳市锦凌电子有限公司 SHENZHEN JINLING ELECTRONICS CO.,LTD Tel: 86-755-2997-5806/5802 Fax: 86-755-2997-5992	
				X.X	±0.30				UNIT	mm		
						CHECK			SIZE	A4	PART NO. 6353C-04B-AC-W00	
							X.XXX	±0.10	SHEET	1/1		
A0	2022.07.18	NEW DRAWING				APPROVE			PROJ.		TITLE: 伺服电机动力焊线式底座小6Pin/不带刹车/带线L40mm(A TYPE)	
REV	DATE	MODIFICATION DESCRIPTION		CHANGE			DIM	TOL				