

NOTE:

Physical

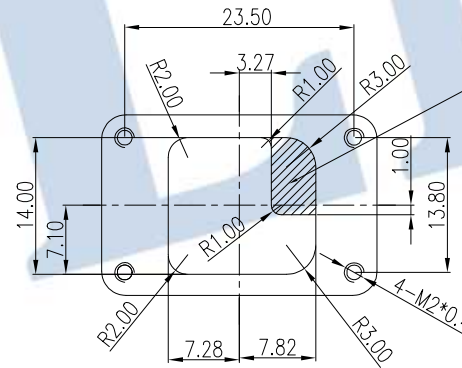
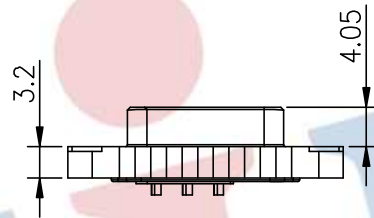
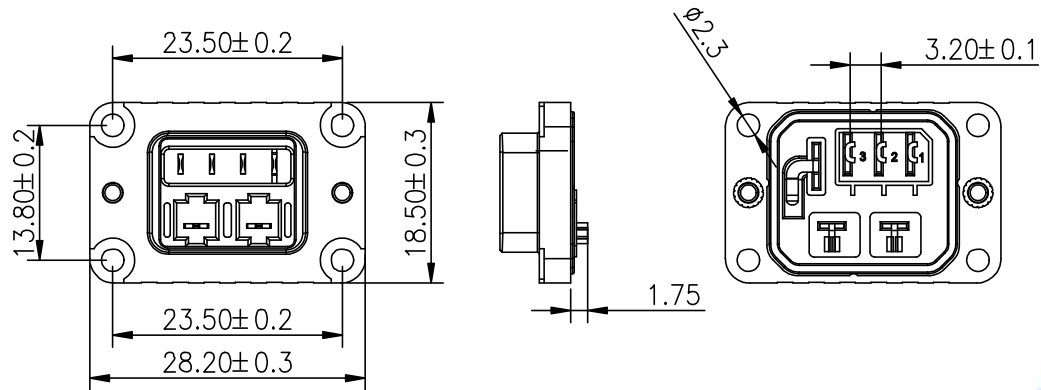
- 1.Insulation Material:Synthetic Resin UL94V-0  
Color:Black
- 2.Contact Material:Copper Alloy  
Plating: Nickel For all  
Contact Area:Gold  
Termination Area:Glod flash

Electrical

- 1.Current Rating: Power contact 7A max.  
Brake contact 1A max.
- 2.Voltage Rating: Power contact 200 VAC.  
Brake contact 100 VAC.
- 3.Insulation Resistance:>1000 MΩ at @500VDC
- 4.Withstanding Voltage:1500VAC for 1 minute
- 5.Contact Resistance:10 mΩ MAX

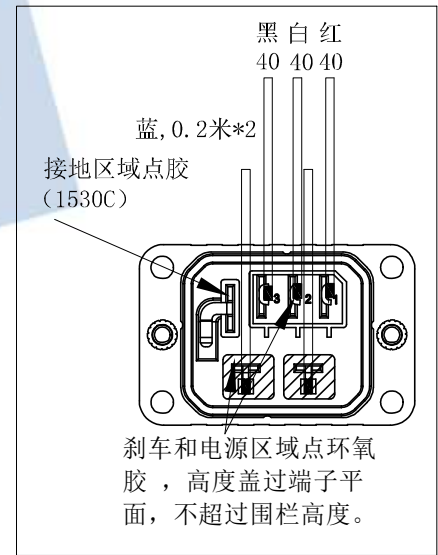
Environmental

- 1.Operating Temperature:-40°C to +105°C
- 2.Solder Temperature: 255~265°C for 5~10 sec.
- 3.Brake contact: AWG#26 to AWG#22  
Coated outer dia:1.1 to 1.4 dia



mounting dimensions

接地位置说明:  
此区域去除表面,  
深度0.1±0.05。



MATERIAL:

NO	NAME	Q'TY	MATERIAL	DESCRIPTION
1	SEALING	1	SYNTHETIC RUBBER	GREEN
2	HOUSING	1	SYNTHETIC RESIN	BLACK
3	NUT(M2*0.4)	2	COPPER ALLOY	NATURAL COLOR
4	GROUND CONTACT	1	COPPER ALLOY	PLATING GOLD
5	BRAKE CONTACT	2	COPPER ALLOY	PLATING GOLD
6	SEALING	1	SYNTHETIC RUBBER	GREEN
7	POWER CONTACT	3	COPPER ALLOY	PLATING GOLD

OPERATION		DRAW	Tim Chu	2022.11.15	SCALE	FIT
X.X	±0.30	CHECK	Ou Yang	2022.11.15	UNIT	mm
X.XX	±0.20				SIZE	A4
X.XXX	±0.10				SHEET	1/2
Angle	±3°	APPROVE	Wang Wei	2022.11.15	PROJ.	◆
DIM	TOL					

**JILN**® 深圳市锦凌电子有限公司  
SHENZHEN JINLING ELECTRONIC CO.,LTD  
Tel: 86-755-2997-5806/5802 Fax: 86-755-2997-5992

REV	DATE	MODIFICATION DESCRIPTION	CHANGE
A0	2022.11.15	NEW DRAWING	

PART NO.	6353C-06B-AB-W00
TITLE:	伺服电动力焊线式/小型/斜出口 4+2Pin插座连接器/带线/带刹车线