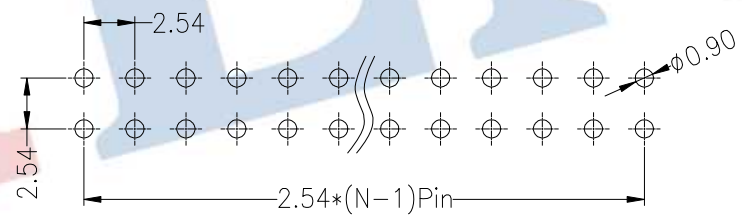
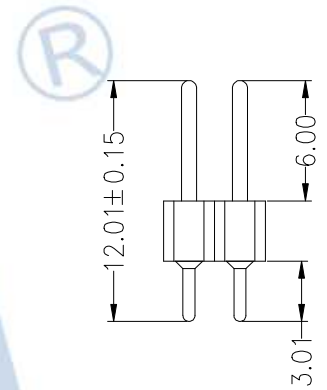
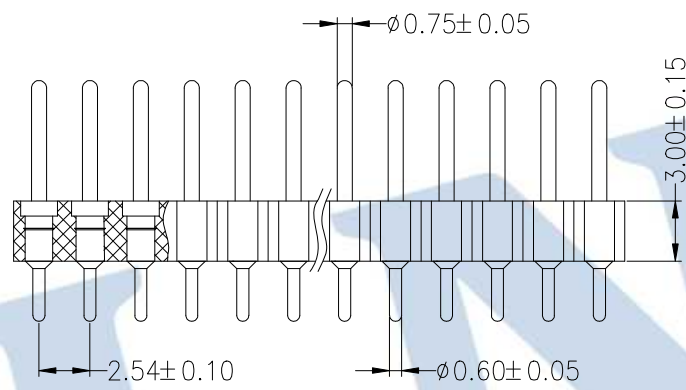
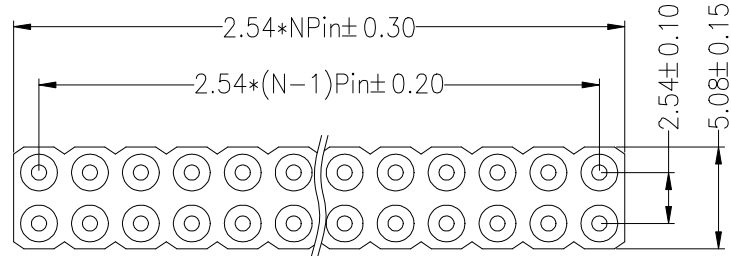




SPECIFICATIONS

Current Rating:3.0AMP
 Contact Resistance:10mΩ Max
 Dielectric Strength:Min 1000V AC RMS
 Operation Temperature:-40°C to +105°C

Contact Material:Brass
 Contact Plating:Au Over Ni
 Insulator Material:Polyester(UL94V-0)
 Standard: PPS
 Soldering Temperature:260°C±5°C For 5~10 Second



Recommended P.C.B Layout(Top Side)
 (PCB BOARD TOLERANCE±0.05)

Ordering Information

3610 30 2 XX S XX 120 XX

No.of Pins Per Row NPin N=02~40
 Contact Plating
 G1:1U" Gold
 G2:1.5U" Gold
 G3:2U" Gold
 G4:3U" Gold
 G5:5U" Gold
 S0:Gold Flash/Tin
 SN:Tin
 Pin Length 120=12.01mm
 Stream code

				OPERATION		DRAW	Wei Chen	2022.05.21	SCALE	FIT	JILN® 深圳市锦凌电子有限公司 SHENZHEN JINLING ELECTRONICS CO.,LTD Tel: 86-755-27483253 Fax: 86-755-2997-5588	
				X.X	±0.30				UNIT	mm		
				X.XX	±0.20	CHECK	SIZE	A4				
				X.XXX	±0.10	APPROVE	SHEET	1/1				
A0	2022.05.21	NEW DRAWING		Angle	±3°			PROJ.	◆	PART NO.	3610302XXSXX120XX	
REV	DATE	MODIFICATION DESCRIPTION		CHANGE	DIM TOL					TITLE:	2.54x3.0 双排双头针 L=12.01 上针尖0.75 下针尖0.60	