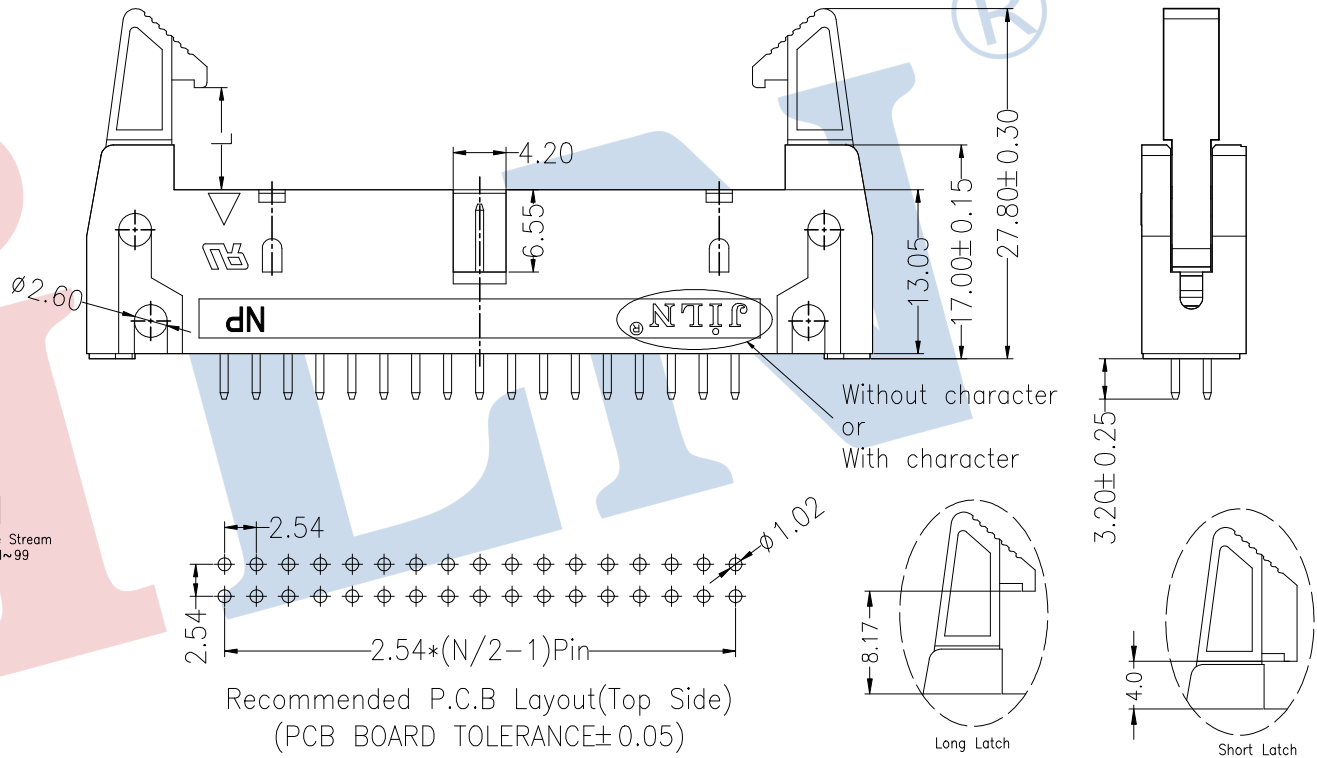
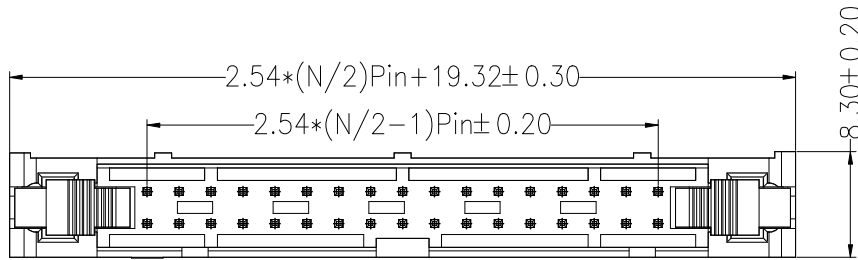




SPECIFICATIONS

Rated Current:3.0AMP
 Contact Resistance:20mΩ Max
 Withstand Voltage:1000V AC/DC
 Insulation Resistance:1000MΩ Min
 Operation Temperature:-40°C to +105°C

Contact Material:Brass
 Contact Plating:Au or Sn Over Ni
 Insulator Material:Polyester(UL94V-0)
 Max.Processing Temp:
 (PBT)245°C±5°C For 5~10 Second
 (PA6T)260°C±5°C For 5~10 Second



Ordering Information

3310 XX S XX X X X X 0X

- No.of Pins NPin N=06~64
- Contact Plating
 G0:Gold Flash
 G1:1U" Gold
 G2:1.5U" Gold
 G3:2U" Gold
 G4:3U" Gold
 G5:5U" Gold
 G6:10U" Gold
 G7:15U" Gold
 S0:Gold Flash/Tin
 S1:3U" Gold/Tin
 SN:Tin
- Insulator Material Option
 A=BK-PBT
 C=BK-PA6T
- Color Type
 B=Black
 G=Grey
- Latch Type
 L=Long Latch
 S=Short Latch
 N=Without Latch
- Packing
 O=PE Bag
 A=Tray
 T=Tube
 P=Tube+Cap
- Code Stream 01~99

Recommended P.C.B Layout(Top Side)
 (PCB BOARD TOLERANCE±0.05)

				OPERATION		DRAW	Jelly Feng	2021.03.04	SCALE	FIT	JILN ® 深圳市锦凌电子有限公司 SHENZHEN JINLING ELECTRONICS CO.,LTD Tel: 86-755-27483253 Fax: 86-755-2997-5588	
				X.X	±0.30				UNIT	mm		
				X.XX	±0.20	CHECK	RICH LIN	SIZE	A4	PART NO. 3310XXSXXXXXX0X		
				X.XXX	±0.10			SHEET	1/1			
A0	2021.03.04	NEW DRAWING		Angle	±3°	APPROVE	OUYANGHUI	PROJ.		TITLE:	2.54 ejector header 180°	
REV	DATE	MODIFICATION DESCRIPTION		DIM	TOL							